


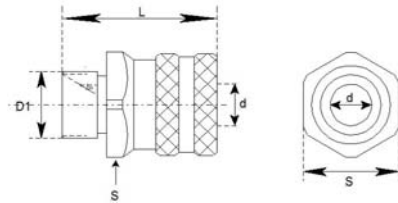

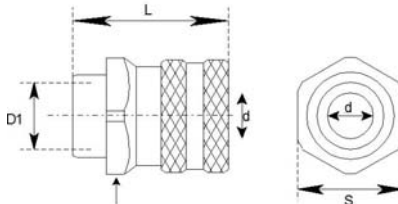




St. St. quick release couplers and adapters

The stainless steel quick release couplers and adapters simplify the connection of water guns and hoses, Lances and other accessories. The EPDM rubber protections, available in different colours, will avoid damage of the couplers and the floors when dropping on the floor.


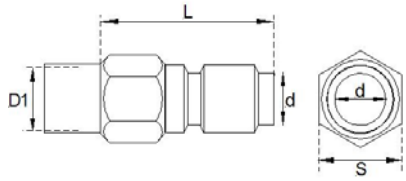

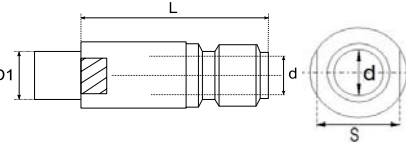

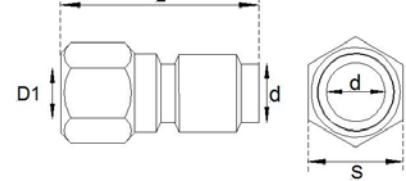

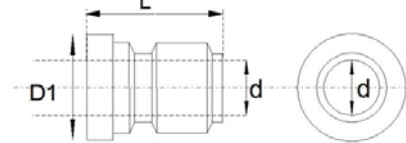

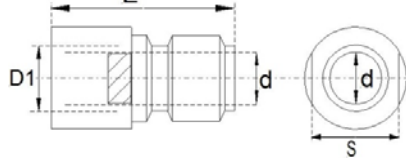

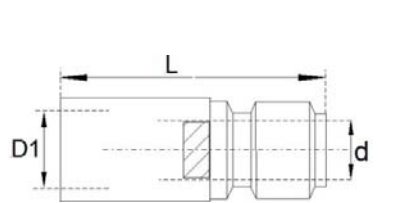

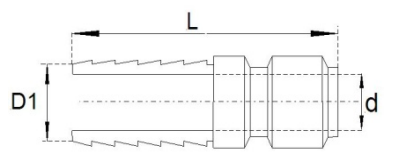


Technical specifications

Body/Ring	: AISI 303
Spring/safety ring	: AISI 301
Balls	: AISI 316L
Seals	: VITON (FDA)
Max. pressure	: 200 bar
Max. temperature	: 100 °C

Quick release couplers		Reference	L (mm)	d (mm)	D1 (BSP)	S (mm)
 COUPL3/8-M COUPL1/2-M		COUPL3/8-M	49,5	10,0	3/8" M	30
		COUPL1/2-M	49,5	11,8	1/2" M	30
 COUPL1/4-F COUPL3/8-F COUPL1/2-F COUPL3/4-F		COUPL1/4-F	44,0	11,8	1/4" F	30
		COUPL3/8-F	44,0	11,8	3/8" F	30
		COUPL1/2-F	44,0	11,8	1/2" F	30
		COUPL3/4-F	44,0	11,8	3/4" F	32
 COPROT1-B (blue) COPROT1-BL (black) COPROT1-Y (yellow) <i>EPDM protection for COUPL... series couplers</i>	 COUPL1/2-F-B <i>(COUPL1/2-F + COPROT1-B)</i>	 COPRON2-B <i>NYLON protection for COUPL... series couplers</i>	 COUPL1/2-NB <i>(COUPL1/2-M + COPRON2-B)</i>			



Adapter	Reference	L (mm)	d (mm)	D1 (BSP)	S (mm)
 <p>ADAPT3/8-M ADAPT1/2-M</p>	 <p>ADAPT3/8-M ADAPT1/2-M</p>	39,0 39,8	10,4 11,8	3/8" M 1/2" M	22 22
 <p>ADAPN1/4-M</p>	 <p>ADAPN1/4-M</p>	42,0	8,0	1/4" M	16
 <p>ADAPT1/4-F ADAPT1/2-F</p>	 <p>ADAPT1/4-F ADAPT1/2-F</p>	40,3 49,3	11,8 11,8	1/4" F 1/2" F	22 27
 <p>ADAPW-11,5</p>	 <p>ADAPW-11,5</p>	30,0	11,5	19,9m m	-
 <p>ADAPN3/8-F ADAPN1/2-F</p>	 <p>ADAPN3/8-F ADAPN1/2-F</p>	42,0 42,0	11,5 11,5	3/8" F 1/2" F	19 22
 <p>ADAPN1/4-F ADAPN1/4-F-S</p>	 <p>ADAPN1/4-F ADAPN1/4-S</p>	55,2 40,3	11,5 11,5	1/4" F 1/4" F	17 17
 <p>ADAPH13 ADAPH16 ADAPH19</p>	 <p>ADAPH13 ADAPH16 ADAPH19</p>	57,5 64,0 65,2	10,0 10,0 10,0	D1 (mm)	12,8 – 13,3 15,8 – 16,8 19,1 – 19,9

