

# AKBO ball bearing swivels




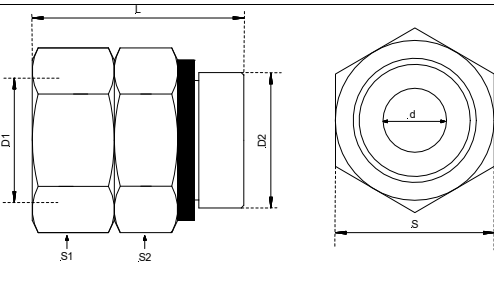
The ball bearing swivels are available in brass, chrome plated brass and in full stainless steel (316).

In case of using a water gun with a fixed hose tail, the ball bearing swivel will improve the users comfort and the water hose's life time.


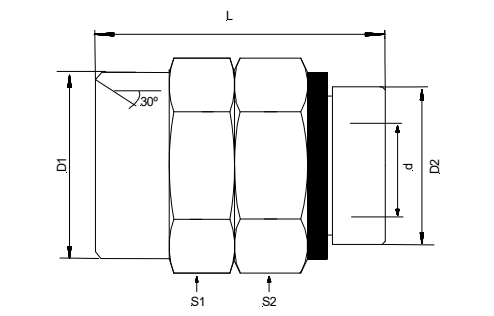
All brass swivels have EPDM (FDA) seals, all stainless steel swivels have VITON (FDA) seals.

These swivels are for the low pressure environment and can take up to 30 bar / 95 °C.

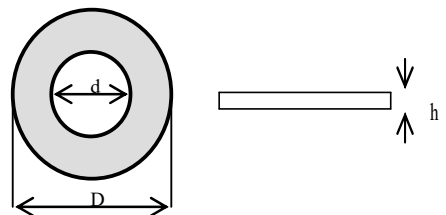
## Male / Female

										
Brass	Chrome plated	Stainless steel	<b>Measurements</b>							
L	d	D1	D2	S1	S2					
SWM09-1/2	SWC09-1/2	SWR09-1/2	40	9	1/2"	1/2"	27	27		
SWM09-3/4	SWC09-3/4	SWR09-3/4	40	9	3/4"	1/2"	30	27		
SWM14-3/4		SWR14-3/4	59	14	3/4"	1/2"	30	27		
SWM12-3/4x3/4		SWR12-3/4x3/4	40	12	3/4"	3/4"	30	30		
SWM18-1x1		SWR18-1x1	49	18	1	1	36	36		

## Male / Male

										
On demand										
L	d	D1	D2	S1	S2					
SWM09-1/2Mx1/2M		SWR09-1/2Mx1/2M	46	9	1/2"	1/2"	27	27		
SWM09-1/2Mx3/4M		SWR09-1/2Mx3/4M	48	9	3/4"	1/2"	27	27		

## Flat seals

EPDM (FDA)	VITON (FDA)	d (mm)	D (mm)	h (mm)		
<i>Male side</i>	<i>Male side</i>					
SWSEM 1/2	SWSVM 1/2	17	26	2		
SWSEM 3/4	SWSVM 3/4	23,5	32	2		
<i>Female side</i>	<i>Female side</i>					
SWSEF 1/2	SWSVF 1/2	11	23	2		
SWSEF 3/4	SWSVF 3/4	15	27	2		

All bold printed items are ex. Stock available. Other dimensions on request.

