
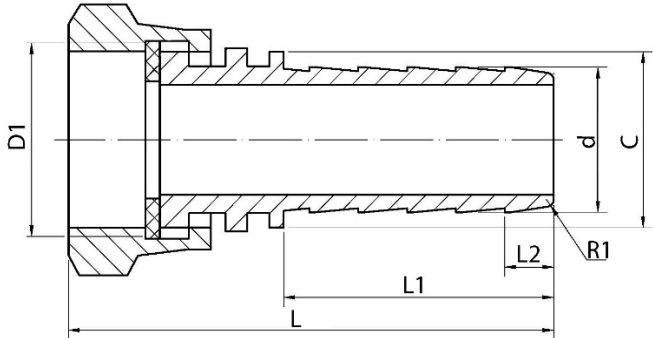

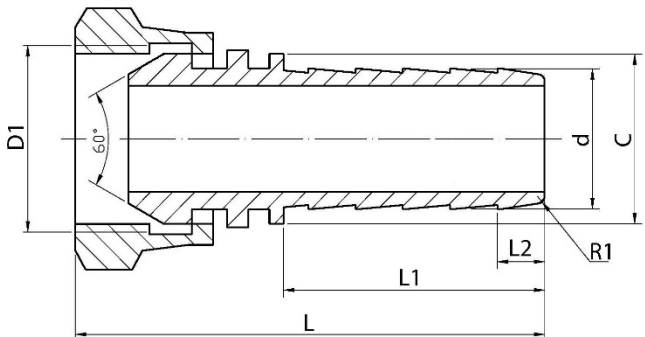


# Stainless steel hose tails with screw cap

AKBO supplies a practical series of stainless steel (316) hose tails in different sizes, some which are difficult to find in the market. Some examples:

- 13 mm tail with 3/4" female thread
- 19 mm tail with 1" female thread
- 25 mm tail with 1" female thread

The hose tails are available with 60° conical seal and with flat seal. All hose tails do have a high-quality finish with a rounded edge at the end of the hose tail to prevent any damage to the hose.

<b>Material : AISI 316</b> <b>Seal : VITON Flat seal</b>						
						
<b>Article code</b>	<b>d(mm)</b>	<b>D1(BSP)</b>	<b>C(mm)</b>	<b>L(mm)</b>	<b>L1(mm)</b>	<b>L2(mm)</b>
RVSW13C17-34F	13,6	3/4"	17,0	60,5	31,0	6,7
RVSW13C20-12F	13,6	1/2"	20,0	60,5	31,0	6,7
RVSW13C20-34F	13,6	3/4"	20,0	60,5	31,0	6,7
RVSW19C24-34F	19,8	3/4"	24,0	66,5	37,0	6,7
RVSW19C24-1F	19,8	1"	24,0	66,5	37,0	6,7
<b>Material : AISI 316</b> <b>Seal : 60° Conical seal</b>						
						
<b>Article code</b>	<b>d(mm)</b>	<b>D1(BSP)</b>	<b>C(mm)</b>	<b>L(mm)</b>	<b>L1(mm)</b>	<b>L2(mm)</b>
RVSW13C17-12C	13,6	1/2"	17,0	60,5	31,0	6,7
RVSW13C20-12C	13,6	1/2"	20,0	60,5	31,0	6,7
RVSW19C24-34C	19,8	3/4"	24,0	66,5	37,0	6,7
RVSW19C24-1C	19,8	1"	24,0	69,5	37,0	6,7
RVSW25C36-1C	25,0	1"	36,0	69,5	40,0	6,7

