

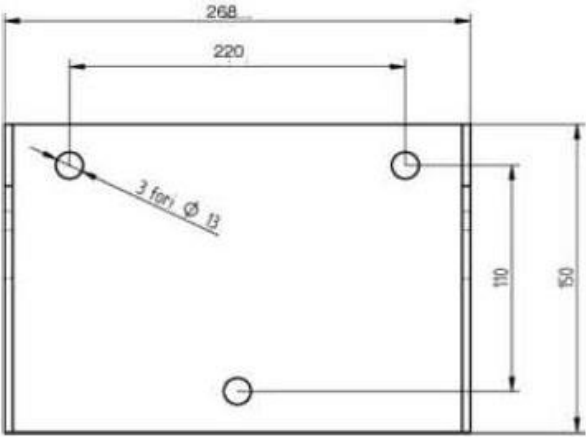
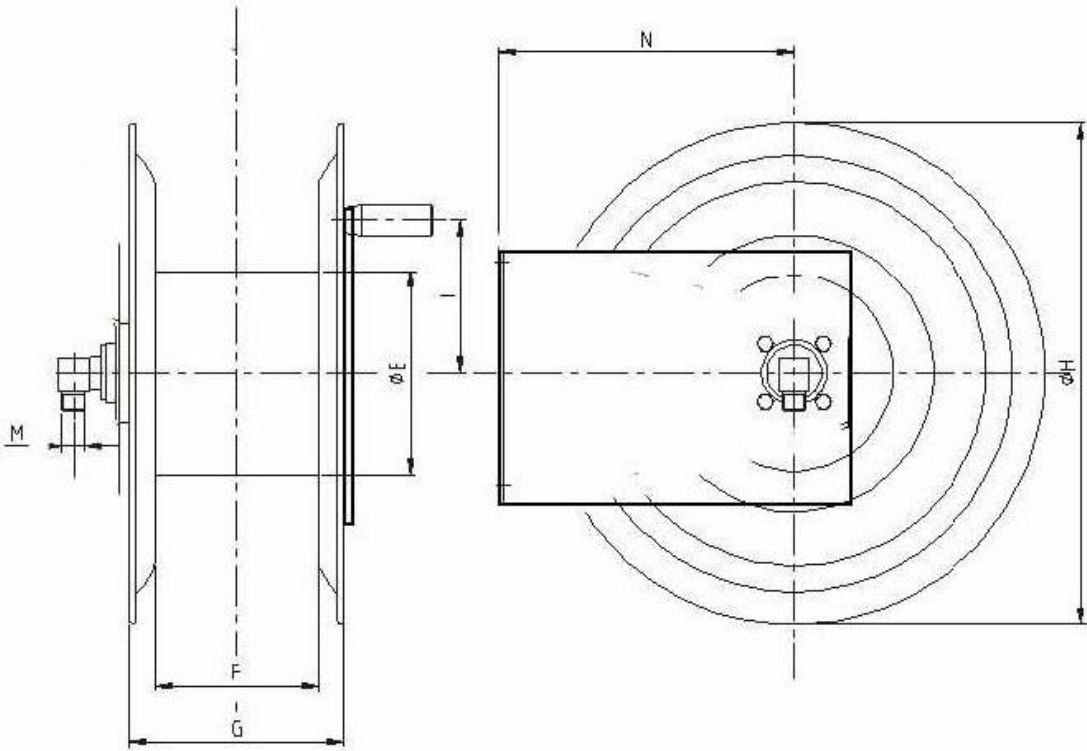
AKM9610 STAINLESS STEEL MANUAL HOSE REEL



AKM9610

Max. working pressure	200 bar
Connection inlet - outlet	½" male – ½" male
Bore	12mm
Max. hose Ø	½"
Max. Hose length	¾" – 50m ½" – 35m
Weight	14 Kg
Material hose reel	AISI 304 / AISI 303
Material swivel	AISI 304 Seal: EPDM

DIMENSIONS AKM9610



Art. Code	E	F	G	H	I	M	N
AKM9610	185	150	194	460	150	½"	260