

AKV2201 STAINLESS STEEL AUTOMATIC HOSE REEL



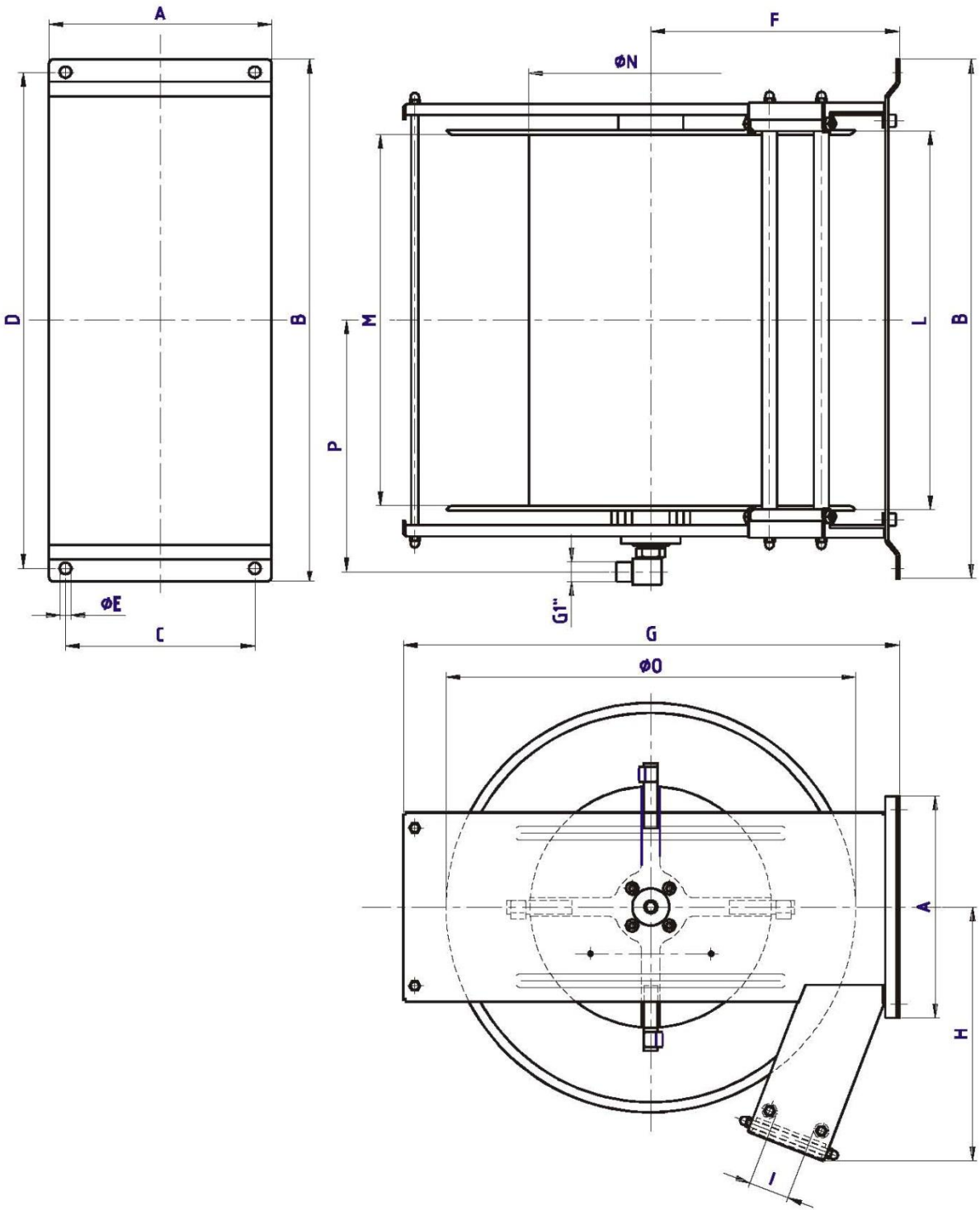
AKV2201



ST20

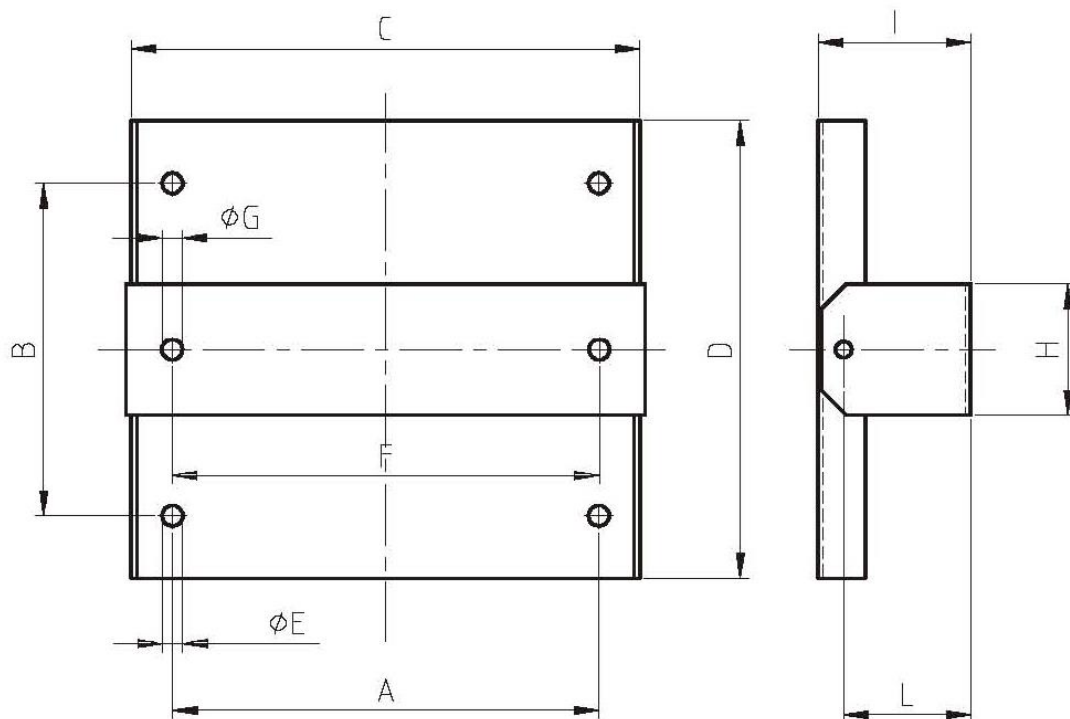
Max. working pressure	80 bar
Connection inlet - outlet	1" male – 3/4" male
Bore	19mm
Max. hose Ø	1"
Max. Hose length	3/4" – 13m (hose max. OD 28mm) 1" – 8m
Weight	14 Kg
Material hose reel	AISI 304 / AISI 303
Material swivel	AISI 304 Seal: VITON

DIMENSIONS AKV2201



Art. Code	A	B	C	D	E	F	G	H	I	L	M	N	O	
AKV2201	235	295	205	265	13	270	530	290	45	153	140	260	430	1"

DIMENSIONS ST20



Art. Code	A	B	C	D	E	F	G	H	I	L
ST20	205	180	250	210	13	210	30x12	80	125	110