

AT20/12e STAINLESS STEEL AUTOMATIC HOSE REEL



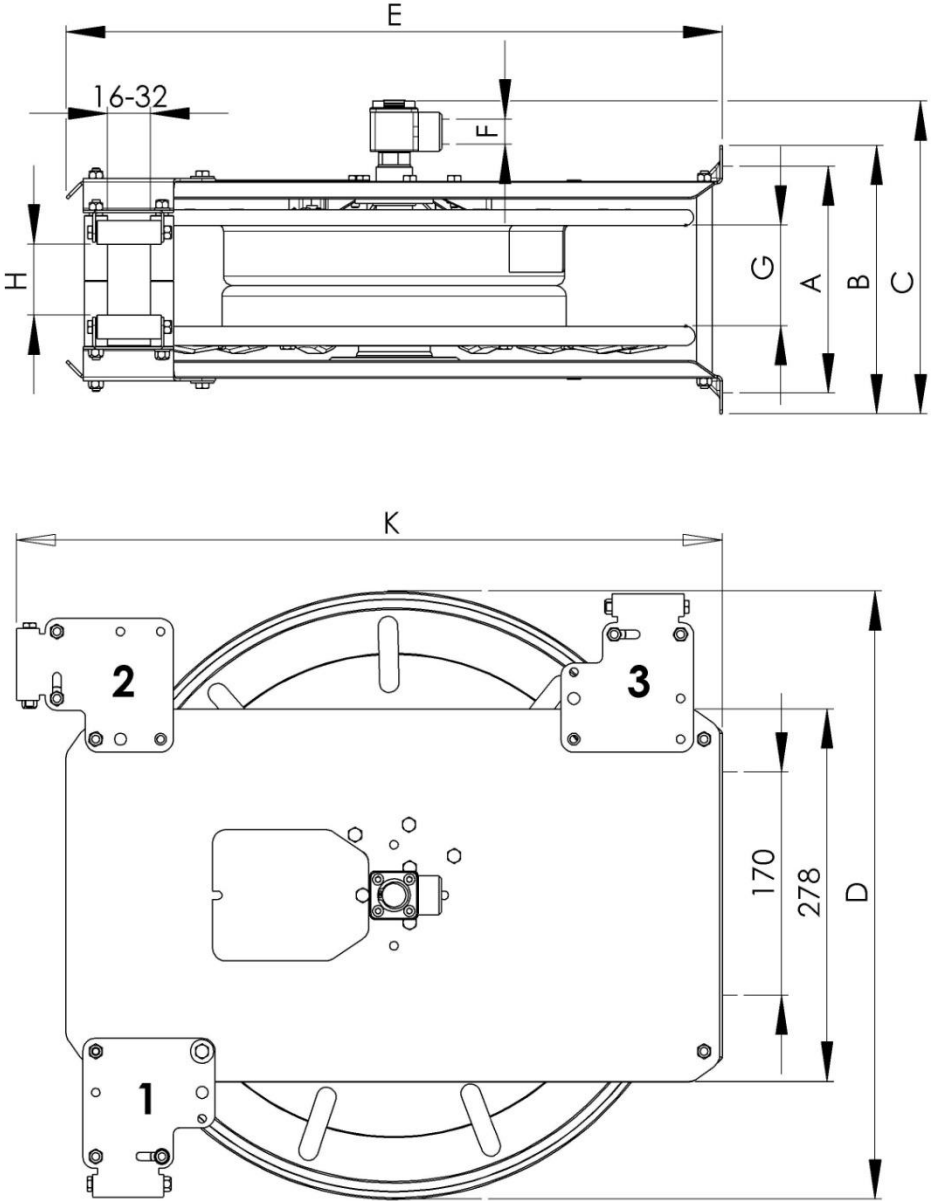
AT20/12e



SKW14/20e

Max. working pressure	200 bar
Connection inlet - outlet	1/2" female – 1/2" female
Bore	12mm
Max. hose Ø	1/2"
Max. Hose length	1/2" – 17m
Weight	16 Kg
Material hose reel	AISI 304
Material swivel	Housing: Alu Axle: AISI 304

DIMENSIONS AT20/12e



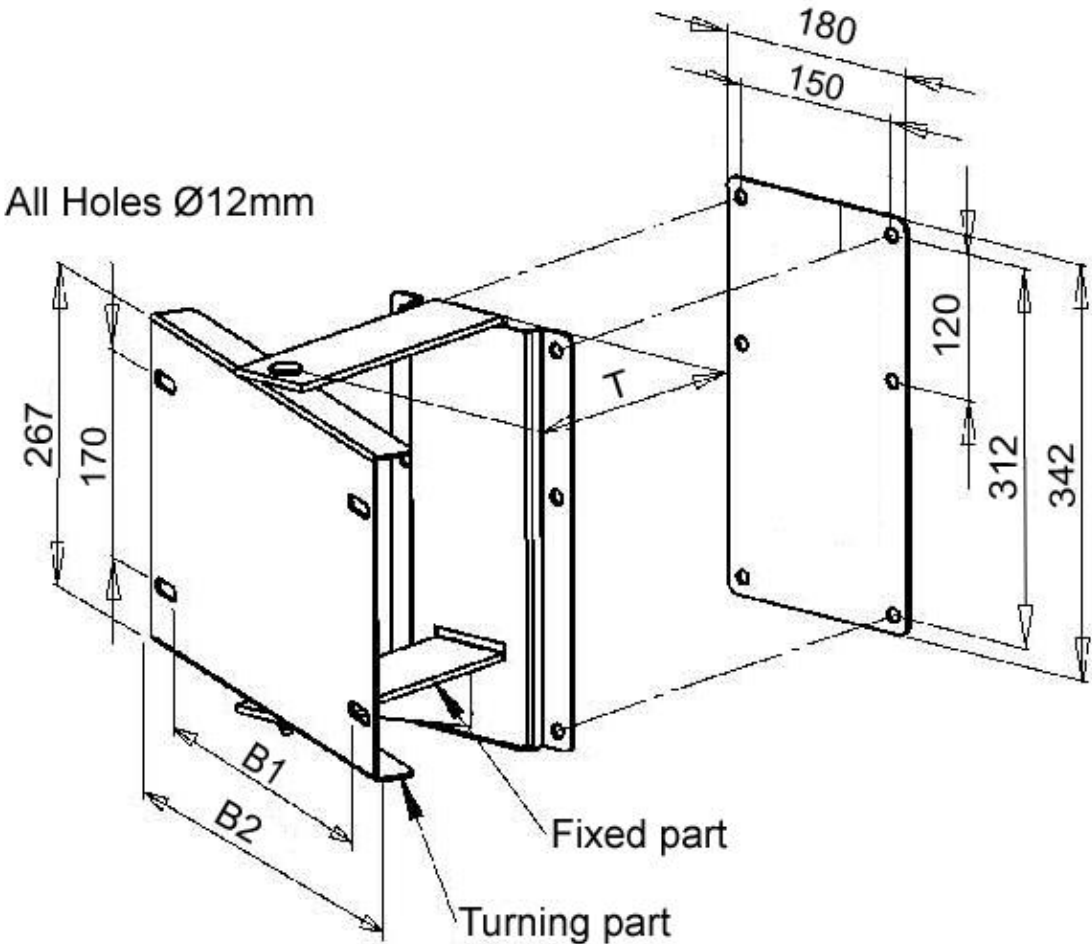
Art. Code	A	B	C	D	E	G	H	K
AT20/12e	176	206	239	460	500	75	48	530

Possible positions of the hose window:

1 = Standard position

2 & 3 = Alternative positions

DIMENSIONS SKW14/20e



Art. Code	B1	B2	T	Weight (Kg)
SKW14/20e	157	210	120	3,40