

AT30/12e STAINLESS STEEL AUTOMATIC HOSE REEL



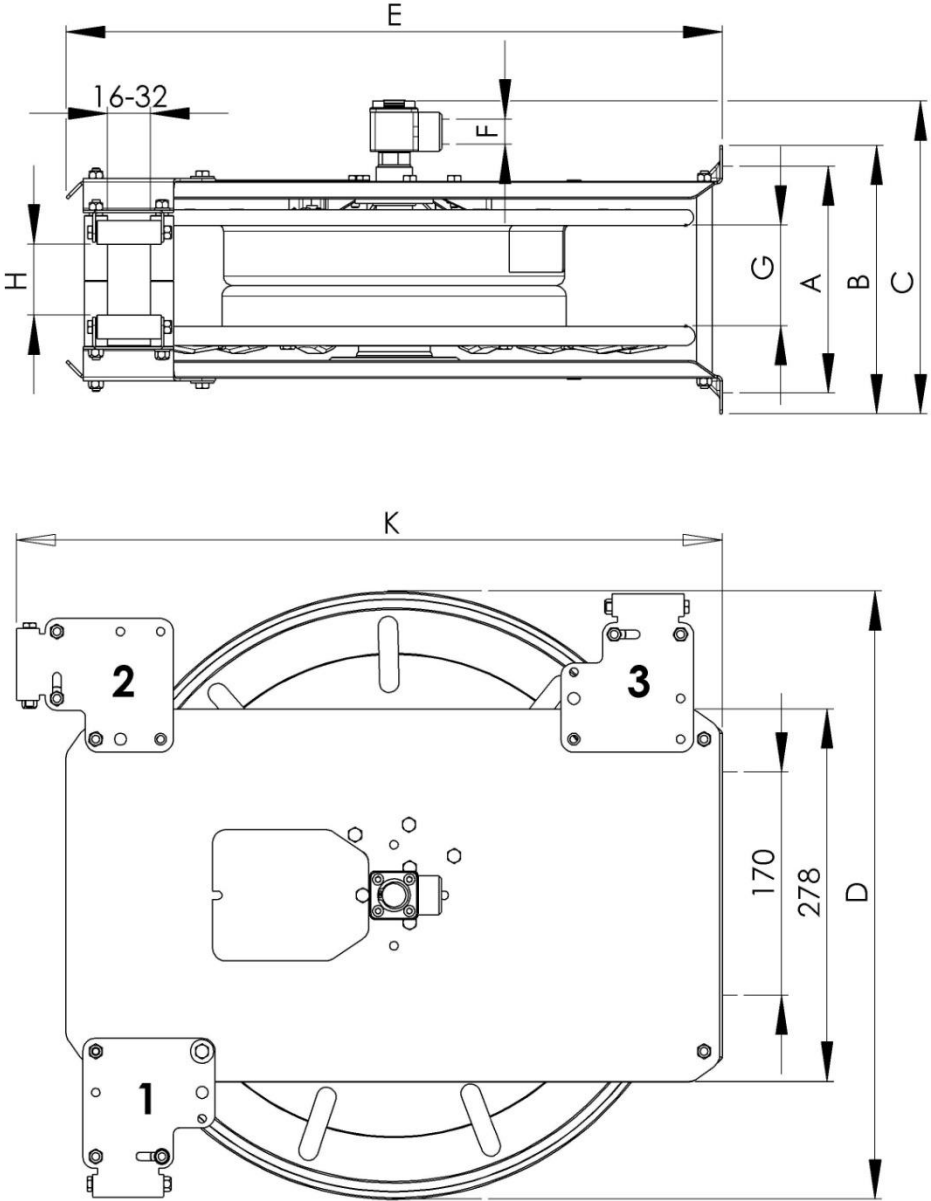
AT30/12e



SKW30/40/1

Max. working pressure	200 bar
Connection inlet - outlet	1/2" female – 1/2" female
Bore	12mm
Max. hose \varnothing	1/2"
Max. Hose length	1/2" – 25m
Weight	18 Kg
Material hose reel	AISI 304
Material swivel	Housing: Alu Axle: AISI 304

DIMENSIONS AT30/12e



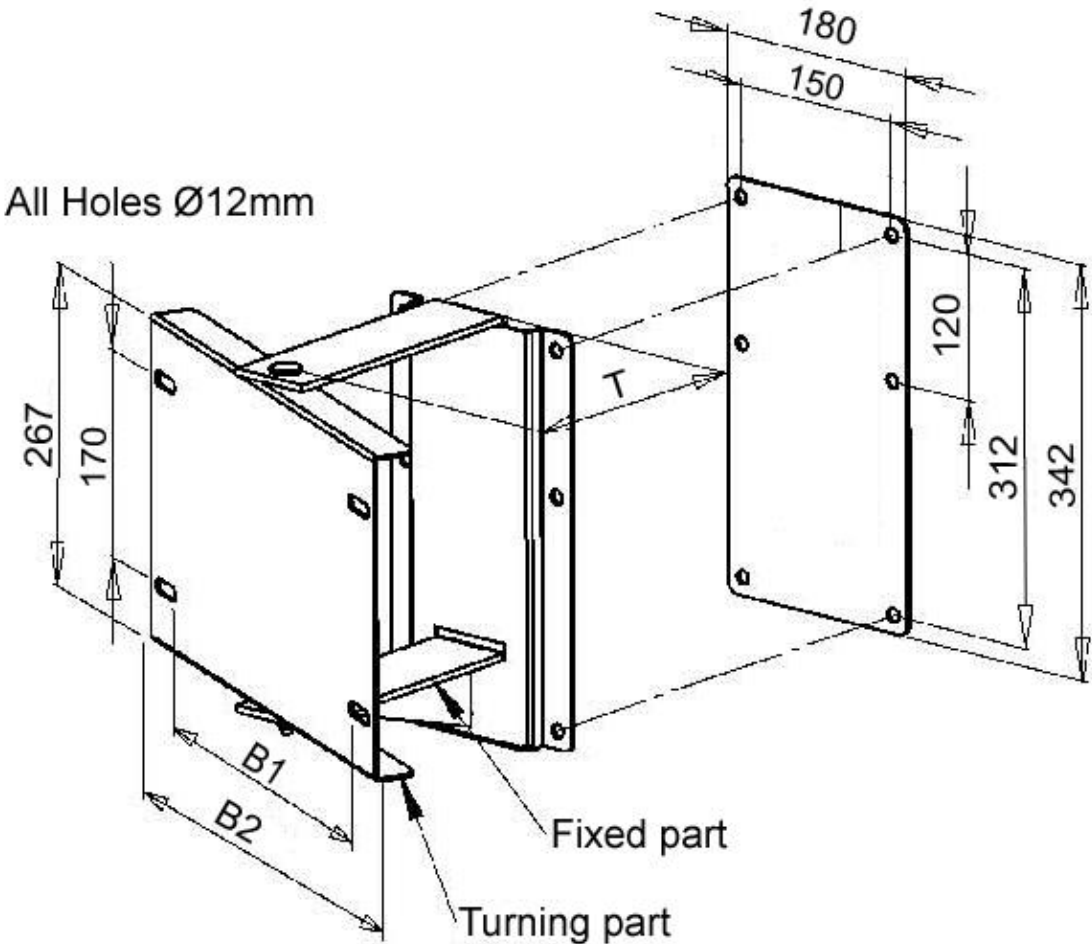
Art. Code	A	B	C	D	E	G	H	K
AT30/12e	226	256	304	460	500	125	106	530

Possible positions of the hose window:

1 = Standard position

2 & 3 = Alternative positions

DIMENSIONS SKW30/40/1



Art. Code	B1	B2	T	Weight (Kg)
SKW30/40/1	224-286	316	168	6,6