

## AT40/19e STAINLESS STEEL AUTOMATIC HOSE REEL



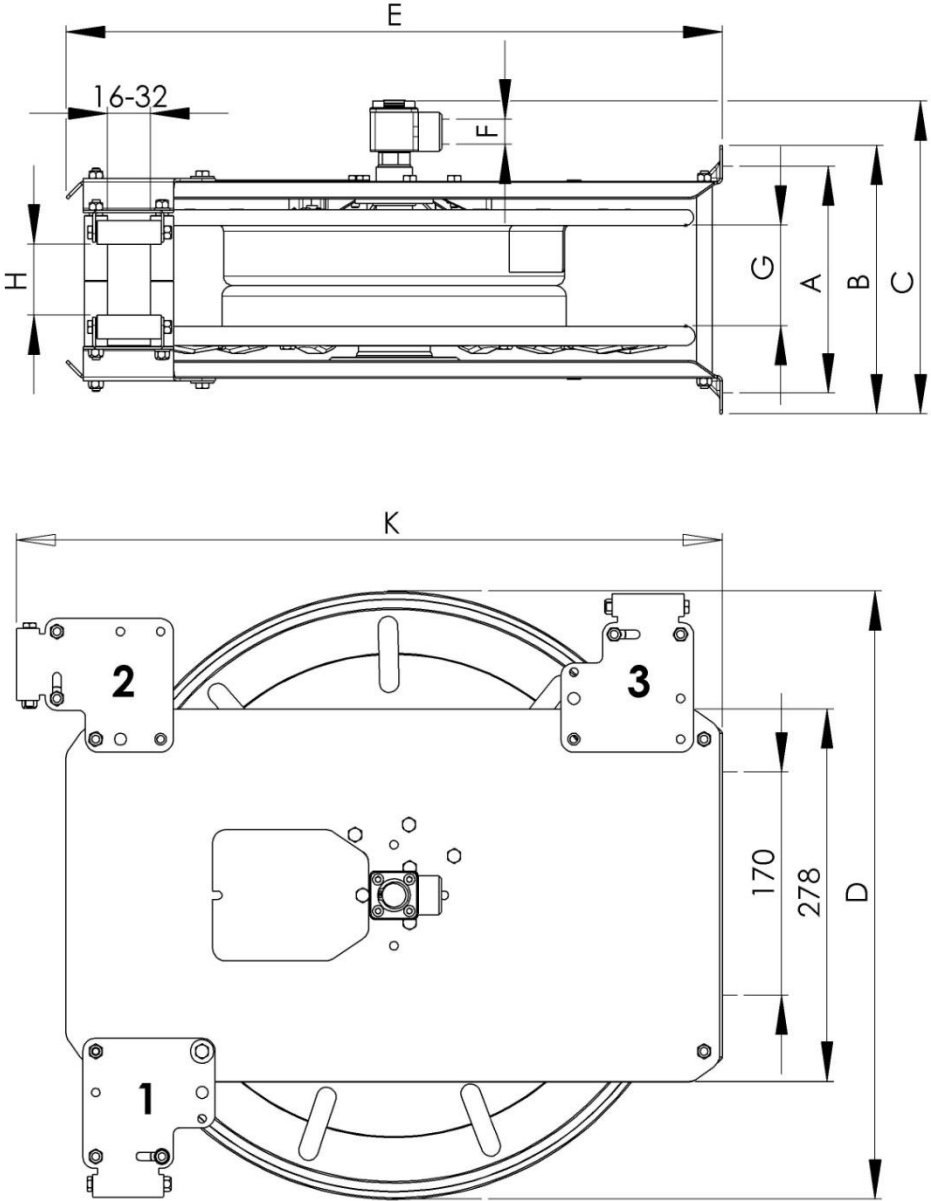
**AT40/19e**



**SKW30/40/1**

<b>Max. working pressure</b>	<b>200 bar</b>
<b>Connection inlet - outlet</b>	<b>3/4" female – 3/4" female</b>
<b>Bore</b>	<b>19mm</b>
<b>Max. hose Ø</b>	<b>3/4"</b>
<b>Max. Hose length</b>	<b>3/4" – 18m (Ø 30mm O.D.)</b>
<b>Weight</b>	<b>20 Kg</b>
<b>Material hose reel</b>	<b>AISI 304</b>
<b>Material swivel</b>	<b>Housing: Alu Axle: AISI 304</b>

**DIMENSIONS AT40/19e**



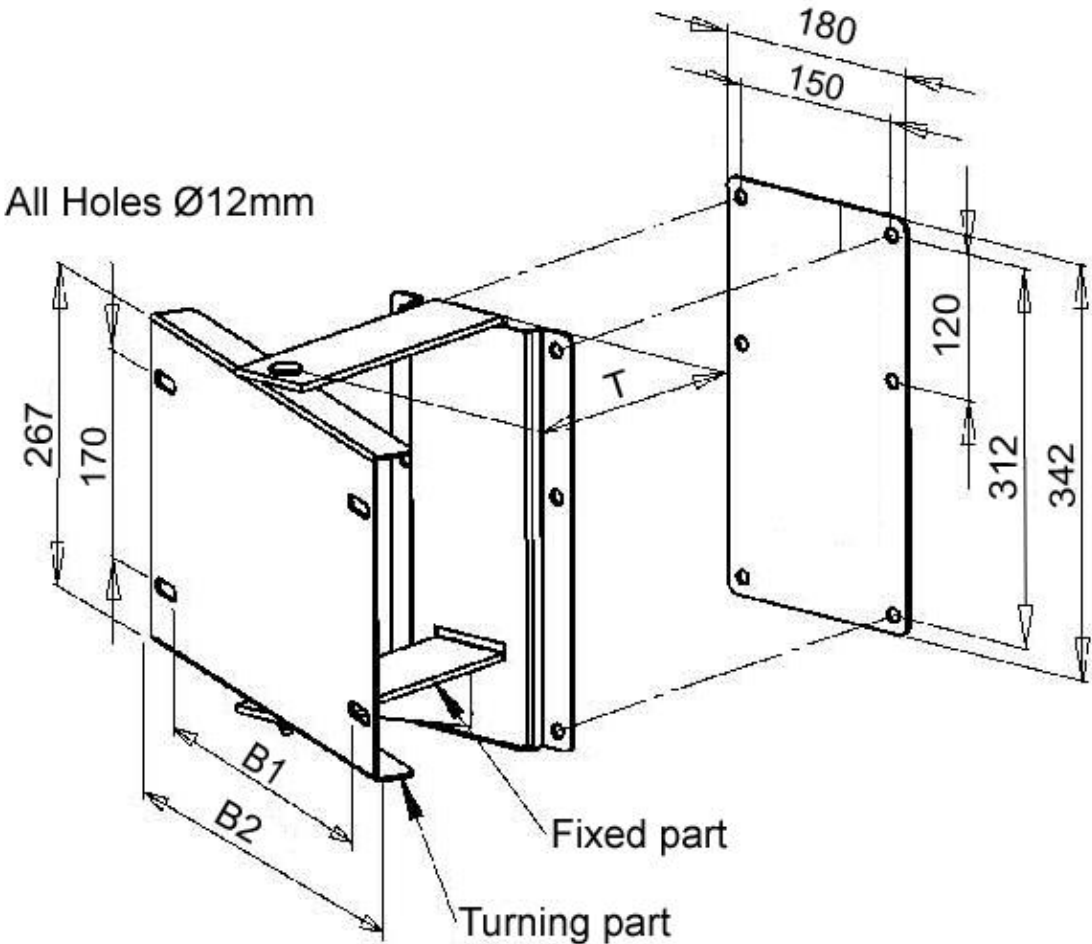
Art. Code	A	B	C	D	E	G	H	K
AT40/19e	276	306	354	460	500	182	152	530

Possible positions of the hose window:

1 = Standard position

2 & 3 = Alternative positions

**DIMENSIONS SKW30/40/1**



Art. Code	B1	B2	T	Weight (Kg)
SKW30/40/1	286	316	168	6,6