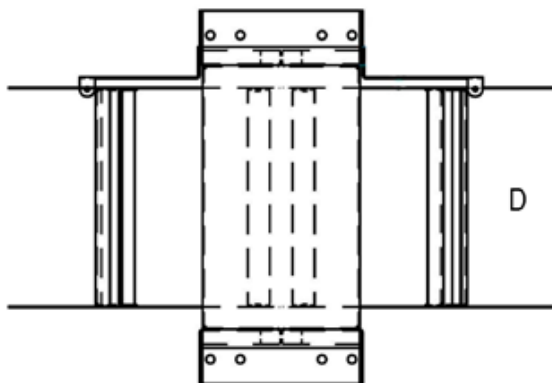
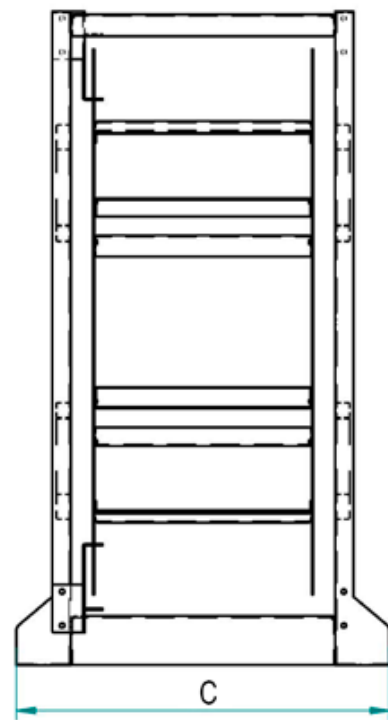
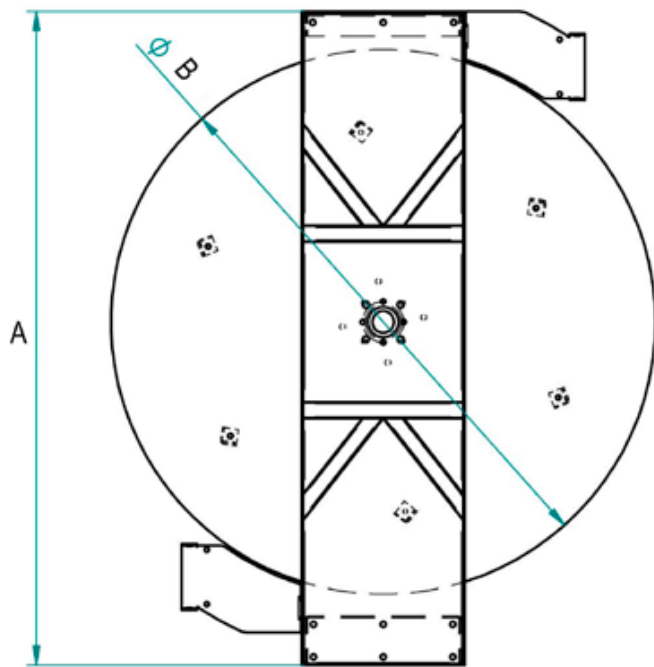


## Hose reel AKM2090



<b>Admitted diameters</b>	2"
<b>Hose lenght in meters</b>	Up to 20 m. 2"
<b>Working pressure</b>	Up to 10 bar
<b>Working Temperature</b>	90°C
<b>Inlet thread size</b>	2" female
<b>Outlet thread size</b>	2" female
<b>Weight</b>	60 kg
<b>Packing size</b>	600x700x800 mm
<b>Raw materialsides and roll</b>	AISI 304
<b>Raw material shaft and swivel joint</b>	AISI 303
<b>Can be used to transfer</b>	Air Water Chemical
<b>Motion</b>	Manual hand crank



Item no.	A	B	C	D
AKM 2090	1200 mm	1000 mm	685 mm	400 mm