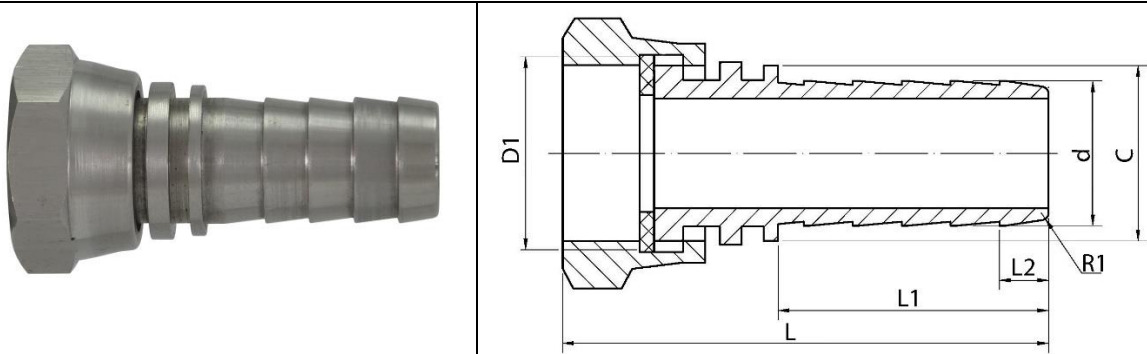
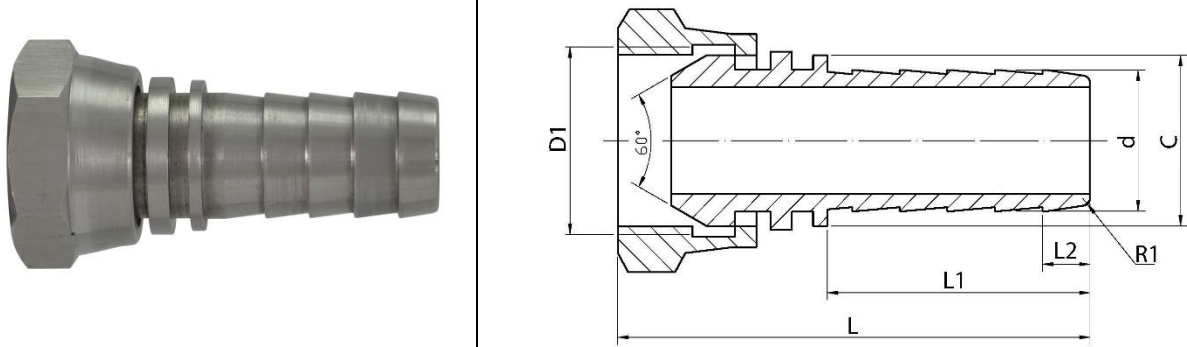


Stainless steel hose tails with screw cap

AKBO supplies a practical series of stainless steel (316) hose tails in different sizes, some which are difficult to find in the market. Some examples:

- 13 mm tail with 3/4" female thread
- 19 mm tail with 1" female thread
- 25 mm tail with 1" female thread

The hose tails are available with 60° conical seal and with flat seal. All hose tails do have a high-quality finish with a rounded edge at the end of the hose tail to prevent any damage to the hose.

Material : AISI 316 Seal : VITON Flat seal							
Article number	d(mm)	D1(BSP)	C(mm)	L(mm)	L1(mm)	L2(mm)	
RVSW13C17-12F	13,6	1/2"	17	59,0	31,0	6,7	
RVSW13C17-34F	13,6	3/4"	17,0	60,5	31,0	6,7	
RVSW13C20-12F	13,6	1/2"	20,0	60,5	31,0	6,7	
RVSW13C20-12FS*	13,6	1/2"	20,0	60,5	31,0	PM	
RVSW13C20-34F	13,6	3/4"	20,0	60,5	31,0	6,7	
RVSW19C24-34F	19,8	3/4"	24,0	66,5	37,0	6,7	
RVSW19C24-1F	19,8	1"	24,0	66,5	37,0	6,7	
Material : AISI 316 Dichting : 60° Conical seal							
Article number	d(mm)	D1(BSP)	C(mm)	L(mm)	L1(mm)	L2(mm)	
RVSW13C17-12C	13,6	1/2"	17,0	60,5	31,0	6,7	
RVSW13C20-12C	13,6	1/2"	20,0	60,5	31,0	6,7	
RVSW19C24-34C	19,8	3/4"	24,0	66,5	37,0	6,7	
RVSW19C24-1C	19,8	1"	24,0	69,5	37,0	6,7	
RVSW25C36-1C	25,0	1"	36,0	69,5	40,0	6,7	
RVSW16C21-12C	16,8	1/2"	21,0	60,0	31,0	7,2	
RVSW16C21-12CS*	16,8	1/2"	21,0	63,0	34,0	PM	
<p>Hose tails marked with * are equipped with an approx. 20 cm long anti-kink spring. This spring ensures that the hose does not kink on the side of the gun and also increases the hose's lifespan. See page "Swiveling hose tails" for explanation.</p>							

