
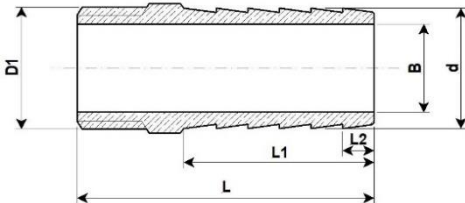


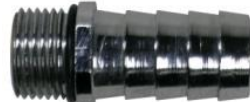

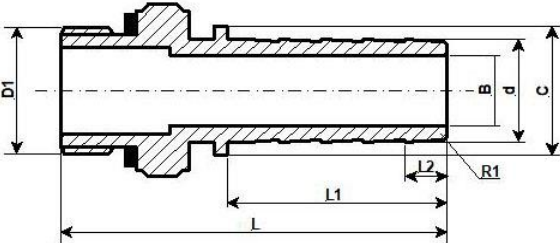


# Hose tails

Brass						
						
Article number	d(mm)	D1(BSP)	B(mm)	L(mm)	L1(mm)	L2(mm)
MESS013	14,0	1/2"	10,0	48,0	30,0	5,0
MESS019	20,4	1/2"	15,0	48,0	30,0	5,0
MESS019-3/4T	20,4	3/4" (BSPT)	15,0	61,0	38,0	5,4
MESS025	25,0	1/2"	19,8	58,0	37,0	3,0

Chrome plated brass with EPDM O-ring		
Picture	Article number	Description
	MESC013	13mm x 1/2" BSP male
	MESC016	16mm x 1/2" BSP male
	MESC019	19mm x 1/2" BSP male

Stainless steel (AISI 316) with Viton seal							
							
Article number	d(mm)	D1(BSP)	B(mm)	C(mm)	L(mm)	L1(mm)	L2(mm)
RVST013-C17	13,6	1/2"	9	17	58,5	31	6,7
RVST013-C17-SP *	13,6	1/2"	9	17	58,5	31	6,7
RVST013-C20	13,6	1/2"	9	20	58,5	31	6,7
RVST013-C20-SP *	13,6	1/2"	9	20	58,5	31	6,7
RVST016-C21	16,8	1/2"	11,5	21	62,2	35	6,8
RVST016-C21-SP *	16,8	1/2"	11,5	21	62,2	35	6,8
RVST019-C24	19,8	1/2"	14	24	66,3	39	6,8
RVST019-C24-SP *	19,8	1/2"	14	24	66,3	39	6,8
RVST025	25,1	1/2"	14	-	58,3	38	3

Hose tails marked with an \* are equipped with a 20cm-long anti-kink spring. This spring ensures that the hose does not kink on the side of the gun and also improves the life span of the hose. See page "Swiveling hose tails" for explanation.

