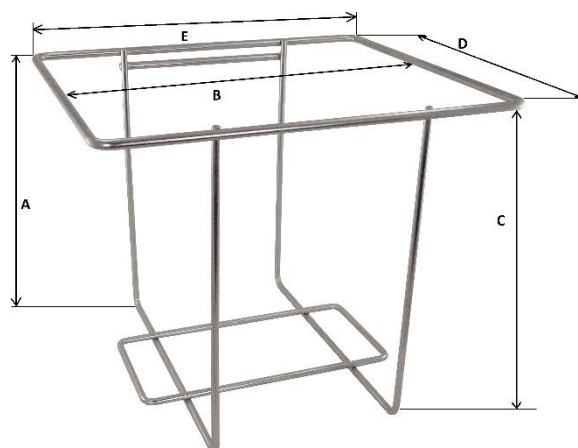


## Container racks in stainless steel (304)

Our sturdy stainless steel racks of various sizes allow you to place 20 and 25 litre containers stably off the ground. They are available in 3 sizes, RECON20-30, RECON25 and RECON50 for 1 or 2 containers up to 30 litres.

### Article number: RECON20-30

Stainless steel (304) container rack for a 20 to 30 litre container.

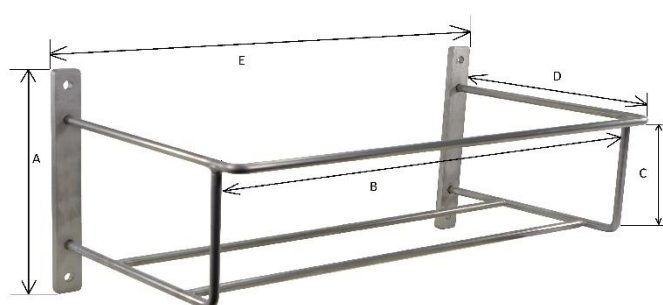


Article no.	A	B	C	D	E
RECON20-30	260	300	250	260	315

### Article number: RECON25 and RECON50

RECON25: Stainless steel (304) container rack for one 25-litre container.

RECON50: Stainless steel (304) container rack for two 25-litre containers.



Article no.	A	B	C	D	E
RECON25	250	417	150	315	447
RECON50	250	555	150	320	585

All dimensions in mm

