
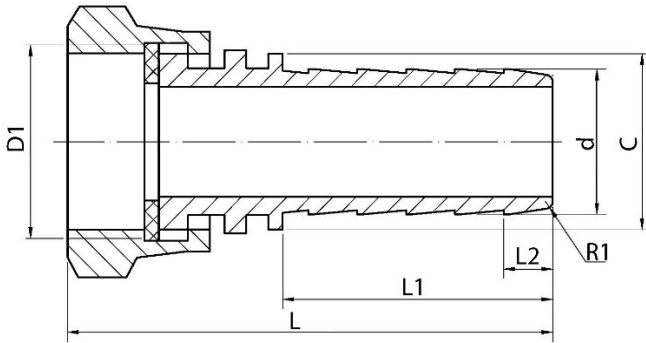



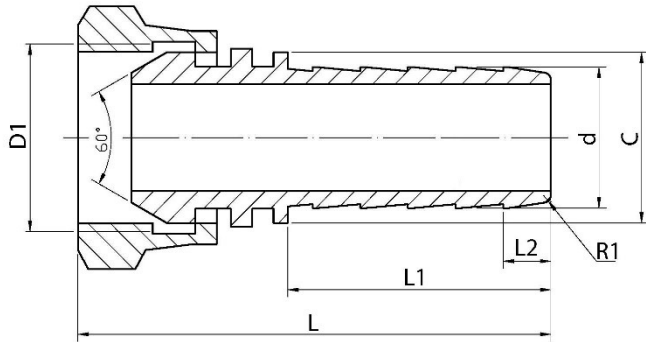
# Stainless steel hose tails with union nut

AKBO supplies a practical range of stainless steel (316) hose tails in various sizes, some of which are hard to find on the market. Some examples:

- 13 mm tail with 3/4" female thread
- 19 mm tail with 1" female thread
- 25 mm tail with 1" female thread

The hose tails are available with 60° conical seal and with flat seal. All tails have a high-quality finish with a rounded edge at the end to prevent damage to the hose.

Material: Stainless steel AISI 316, Seal: <b>VITON flat seal</b>						
						
Article number	d (mm)	D1 (BSP)	C (mm)	L (mm)	L1 (mm)	L2 (mm)
RVSW13C17-12F	13,6	1/2"	17	59,0	31,0	6,7
RVSW13C17-34F	13,6	3/4"	17,0	60,5	31,0	6,7
RVSW13C20-12F	13,6	1/2"	20,0	60,5	31,0	6,7
RVSW13C20-12FS*	13,6	1/2"	20,0	60,5	31,0	PM
RVSW13C20-34F	13,6	3/4"	20,0	60,5	31,0	6,7
RVSW19C24-34F	19,8	3/4"	24,0	66,5	37,0	6,7
RVSW19C24-1F	19,8	1"	24,0	66,5	37,0	6,7

Material: Stainless steel AISI 316, Seal: <b>conical 60° seal</b>						
						
Article number	d (mm)	D1 (BSP)	C (mm)	L (mm)	L1 (mm)	L2 (mm)
RVSW13C17-12C	13,6	1/2"	17,0	60,5	31,0	6,7
RVSW13C20-12C	13,6	1/2"	20,0	60,5	31,0	6,7
RVSW19C24-34C	19,8	3/4"	24,0	66,5	37,0	6,7
RVSW19C24-1C	19,8	1"	24,0	69,5	37,0	6,7
RVSW25C36-1C	25,0	1"	36,0	69,5	40,0	6,7
RVSW16C21-12C	16,8	1/2"	21,0	60,0	31,0	7,2
RVSW16C21-12CS*	16,8	1/2"	21,0	63,0	34,0	PM

**Hose tails marked with an \* are equipped with a 20cm long anti-kink spring.** This spring ensures that the hose does not kink at the end and also promotes the life of the hose. See swivel hose tails for explanation.